

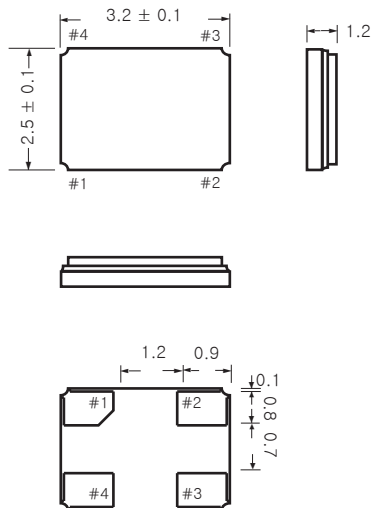
SMD 3.2X2.5 CERAMIC TYPE OSCILLATOR

HCMOS / TTL OUTPUT

Electrical Specification

Model	SGN3.3, SGE3.3
Supply Voltage (Vcc)	3.3Vdc \pm 5%(Std.)
Frequency Range	1 to 50MHz
Frequency Stability	See table 1 (OSC part number guide)
Operating Temperature	See table 2 (OSC part number guide)
Storage Temperature	-55 to 125 $^{\circ}$ C
Supply Current	20mA Max @ 20MHz
Symmetry	60/40%, 55/45%
Rise and Fall time	10ns Max(Std.)
Load	15pF/10TTL(Std.)
Aging	\pm 5.0ppm Max/Year(Std.)

Dimensions



Pin Connection	
#1	N.C. or Tristate
#2	Ground
#3	Output
#4	Vcc